

Mounting Hardware	
25576	Spring (tank mounting)
25085	3/4 x 4.5" Bolt
25195	3/4" Lock Nut
25260	Washer

Brake Line	
23875	100" (Passenger Side)
23871	51" (Drivers Side)
24283	314" (Front to Rear)
23868	24" Brake Line
24285	Line Union
23876	T-Block Connector

Hub Parts	
81202	1" Washer
81203	1" Castle Nut
81204	Cotter Pin
81322	Bearing & Seal, Only
81302	Wheel Stud
25290	Lug Nut
81028	Dust Cap
81102	13" RH Backing Plate
81136	13" LH Backing Plate

Behnke Enterprises, Inc.	
GN2900WG-A Main Body	
08-01-19	www.behnkeenterprises.com

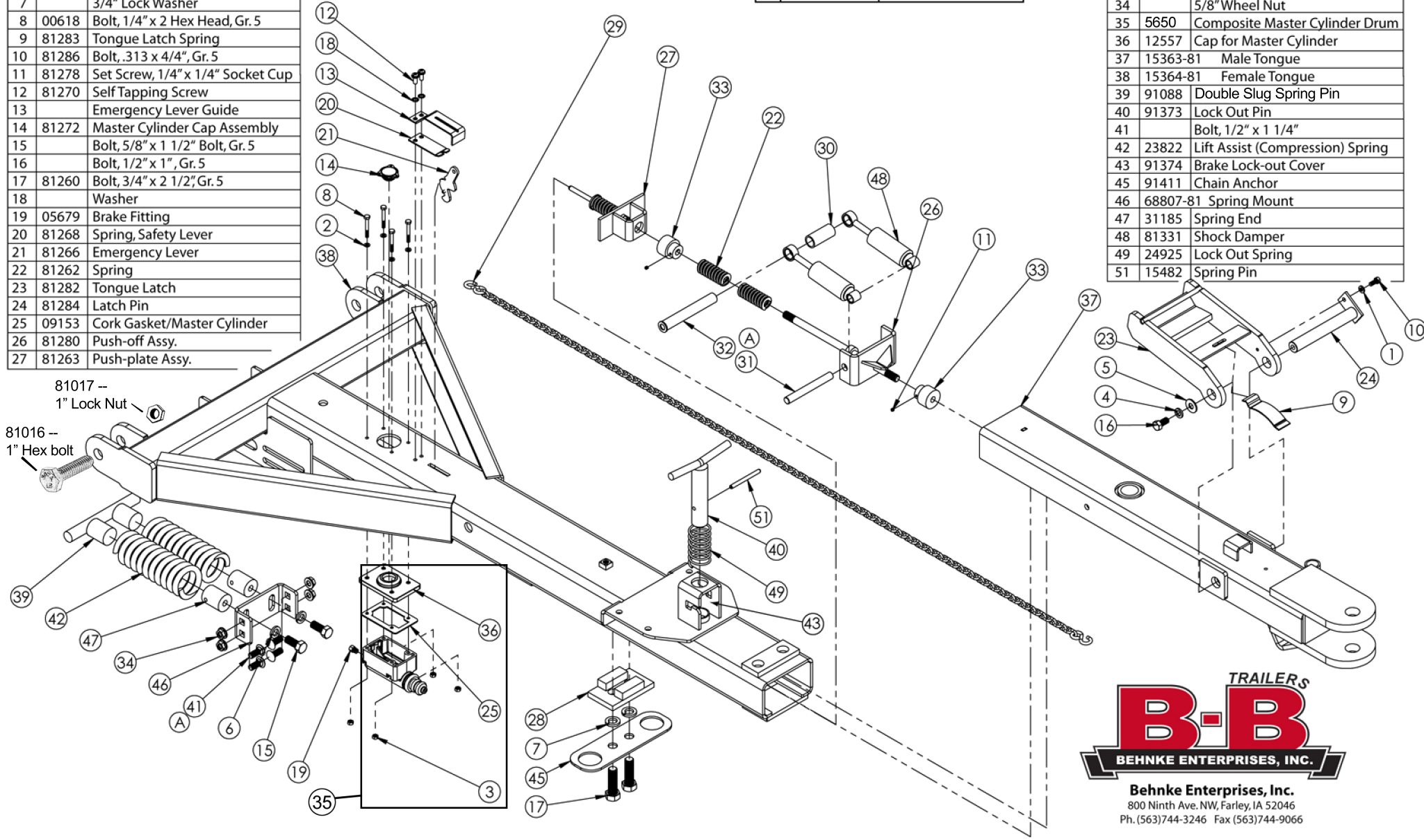
563-744-3246

1	81285	Lock Washer
2	00057	Washer, .25 Spring Lock
3	00062	Nut, 1/4 Spring Hex
4		1/2" Lock Washer
5		1/2" Flat Washer
6		Washer Spring Lock, 5/8"
7		3/4" Lock Washer
8	00618	Bolt, 1/4" x 2 Hex Head, Gr. 5
9	81283	Tongue Latch Spring
10	81286	Bolt, .313 x 4/4", Gr. 5
11	81278	Set Screw, 1/4" x 1/4" Socket Cup
12	81270	Self Tapping Screw
13		Emergency Lever Guide
14	81272	Master Cylinder Cap Assembly
15		Bolt, 5/8" x 1 1/2" Bolt, Gr. 5
16		Bolt, 1/2" x 1", Gr. 5
17	81260	Bolt, 3/4" x 2 1/2", Gr. 5
18		Washer
19	05679	Brake Fitting
20	81268	Spring, Safety Lever
21	81266	Emergency Lever
22	81262	Spring
23	81282	Tongue Latch
24	81284	Latch Pin
25	09153	Cork Gasket/Master Cylinder
26	81280	Push-off Assy.
27	81263	Push-plate Assy.

GNWagon Tongue with Brake

50	91071	Complete Tongue
----	-------	-----------------

28	81259	Stop Block for Brake Tongue
29	81265	72" Actuator Chain/Hook Assy.
30	09323-95	Rear Shock Pin Spacer
31	81281	Front Shock Pin
32	81279	Rear Shock Pin
33	81277	Push-off Assy. Adjustment Spud
34		5/8" Wheel Nut
35	5650	Composite Master Cylinder Drum
36	12557	Cap for Master Cylinder
37	15363-81	Male Tongue
38	15364-81	Female Tongue
39	91088	Double Slug Spring Pin
40	91373	Lock Out Pin
41		Bolt, 1/2" x 1 1/4"
42	23822	Lift Assist (Compression) Spring
43	91374	Brake Lock-out Cover
45	91411	Chain Anchor
46	68807-81	Spring Mount
47	31185	Spring End
48	81331	Shock Damper
49	24925	Lock Out Spring
51	15482	Spring Pin



Behnke Enterprises, Inc.
 800 Ninth Ave. NW, Farley, IA 52046
 Ph. (563)744-3246 Fax (563)744-9066

Step Hardware List

Handle

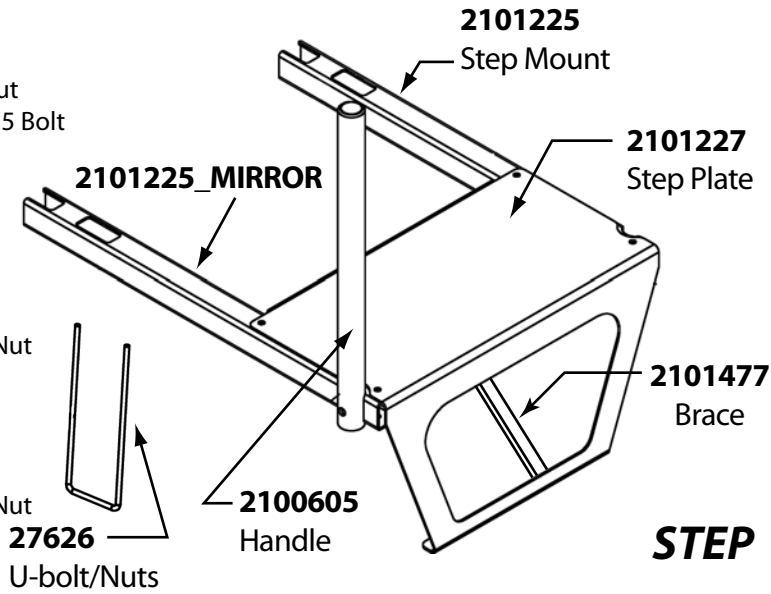
- (2) 1/2" Nylon Lock Nut
- (2) 1/2" x 2 1/2 Grade 5 Bolt
- (4) 1/2" Flat Washers

Step Plate

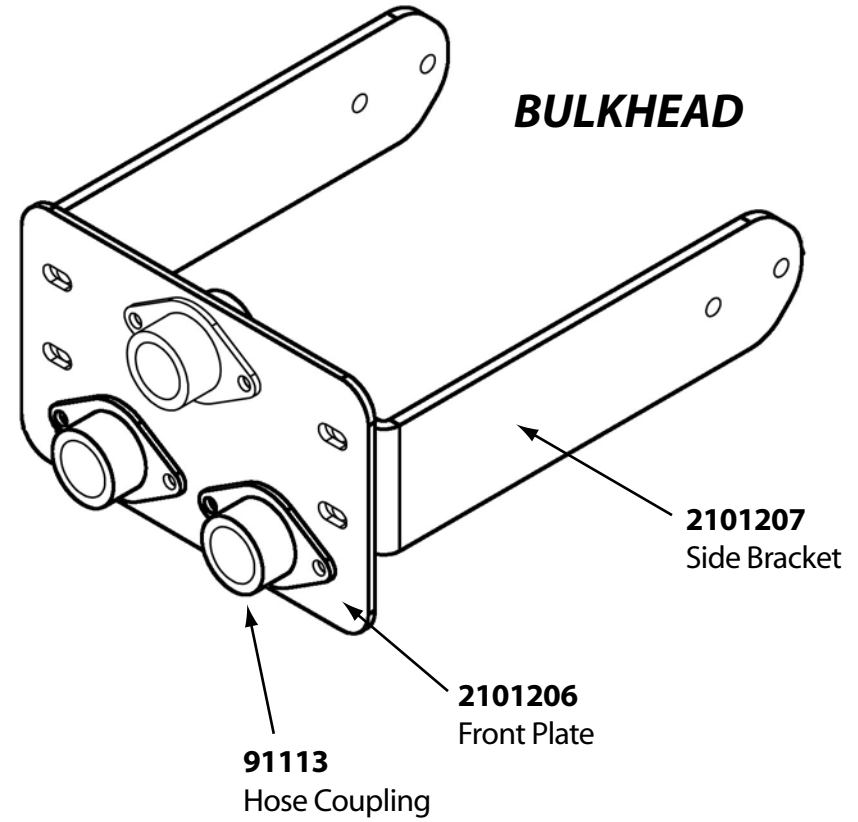
- (8) 3/8 x 3, Grade 5 Carriage Bolt
- (16) 3/8 Flat Washers
- (8) 3/8 Reverse Lock Nut

Step Mount

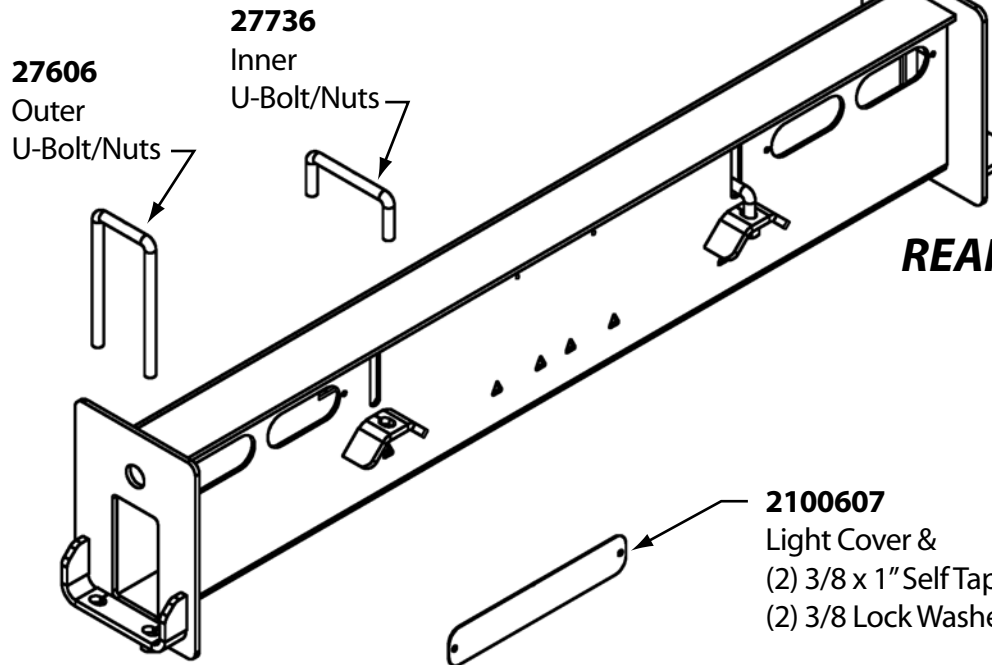
- (4) U-bolt & Nut
- (8) 3/8 Flat Washers
- (8) 3/8 Reverse Lock Nut



STEP



BULKHEAD



REAR AXLE

Lights

- 22581 Oval (6") Tail Light
- 23880 Light Grommet
- 91422 Light Kit

563-744-3246

Behnke Enterprises, Inc.

GN2900WG-A

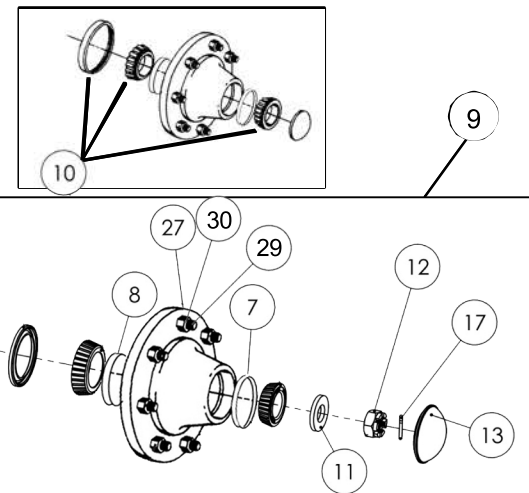
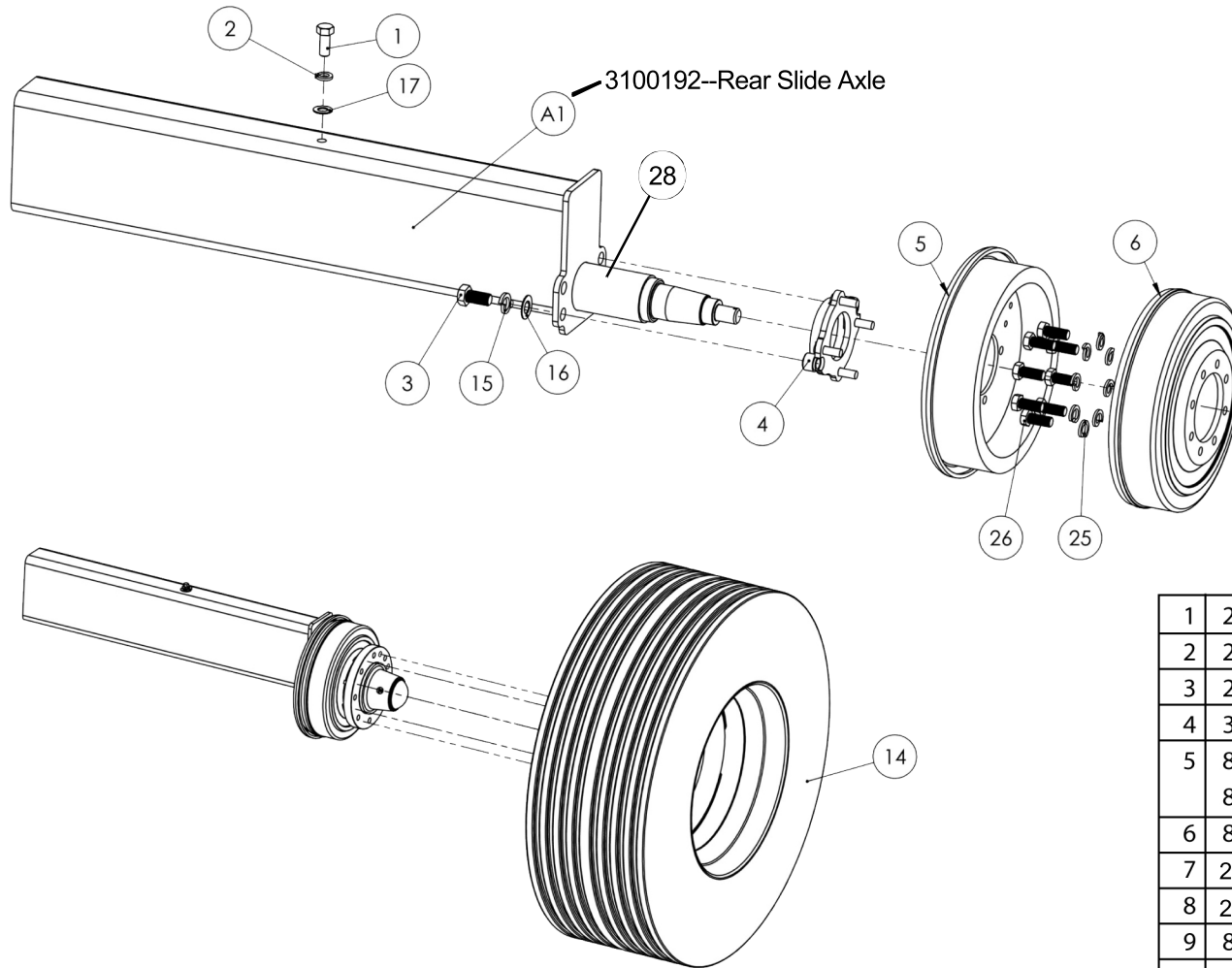
Bulkhead
Rear Axle



07-15-21

www.behnkeenterprises.com

Rear Slide Axle



Part #	Qty.	Description	
1	27044	2	5/8" - 11 x 1" Bolt
2	25764	2	5/8" Split Lock Washer
3	25260	4 or 8	1/2" - 13 x 1" Hex Bolt
4	3100417	2 or 4	Bolt-on Brake Flange
5	81136 (Left) 81102 (Right)	2 or 4	Brake Cluster/Backing Plate
6	81101	2 or 4	Brake Drum
7	25977		Outer Race
8	25975		Inner Race
9	81324	4	8,000 lb. 8-Bolt Hub, Complete
10	25976	4	Bearing & Seal Kit
11	81202	4	Spindle Washer
12	81203	4	Spindle Nut
13	81028	4	Dust Cap
14	25043-MNT	4	425 Used Truck Tire/Wheel
15	25574	4 or 8	3/4" Split Lock Washer
16	25260	4 or 8	3/4" Flat Washer
17	81204	4	Cotter Pin
25	25464	8	5/8" Split Lock Washer
26	25442	8	5/8-18 x 1.5"
27	25284	1	1/4"-20 Straight Zerk
28	91119		Spindle

29	81302	Wheel stud
30	81083	Wheel nut

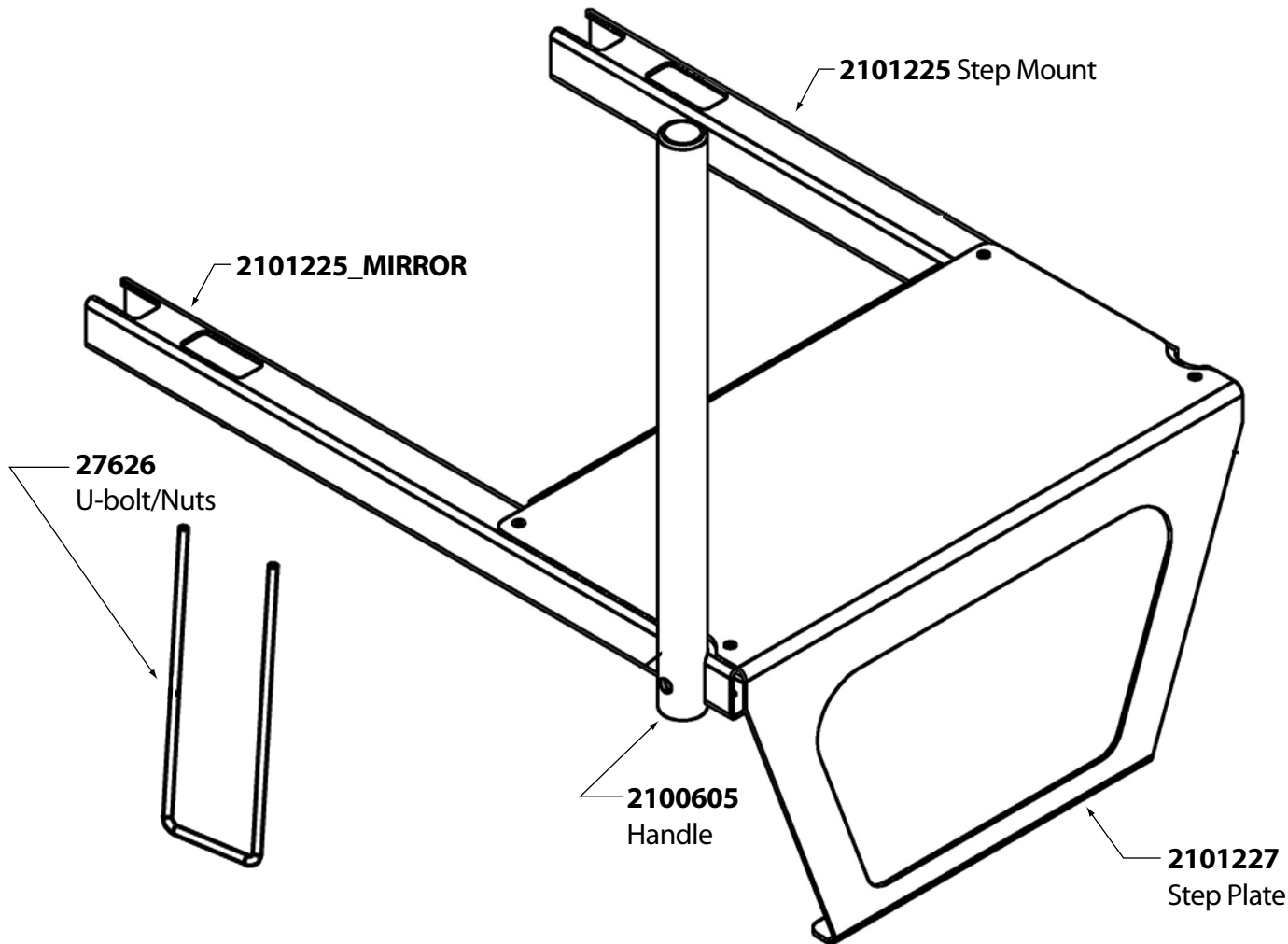
Behnke Enterprises, Inc.

GN2900WG-A
Rear Slide Axle

08-01-19 www.behnkeenterprises.com

563-744-3246

Step Assembly



Hardware List

Handle

- (2) 1/2" Nylon Lock Nut
- (2) 1/2" x 2 1/2 Grade 5 Bolt
- (4) 1/2" Flat Washers

Step Plate

- (8) 3/8 x 3, Grade 5 Carriage Bolt
- (16) 3/8 Flat Washers
- (8) 3/8 Reverse Lock Nut

Step Mount

- (4) U-bolt & Nut
- (8) 3/8 Flat Washers
- (8) 3/8 Reverse Lock Nut

563-744-3246

Behnke Enterprises, Inc.

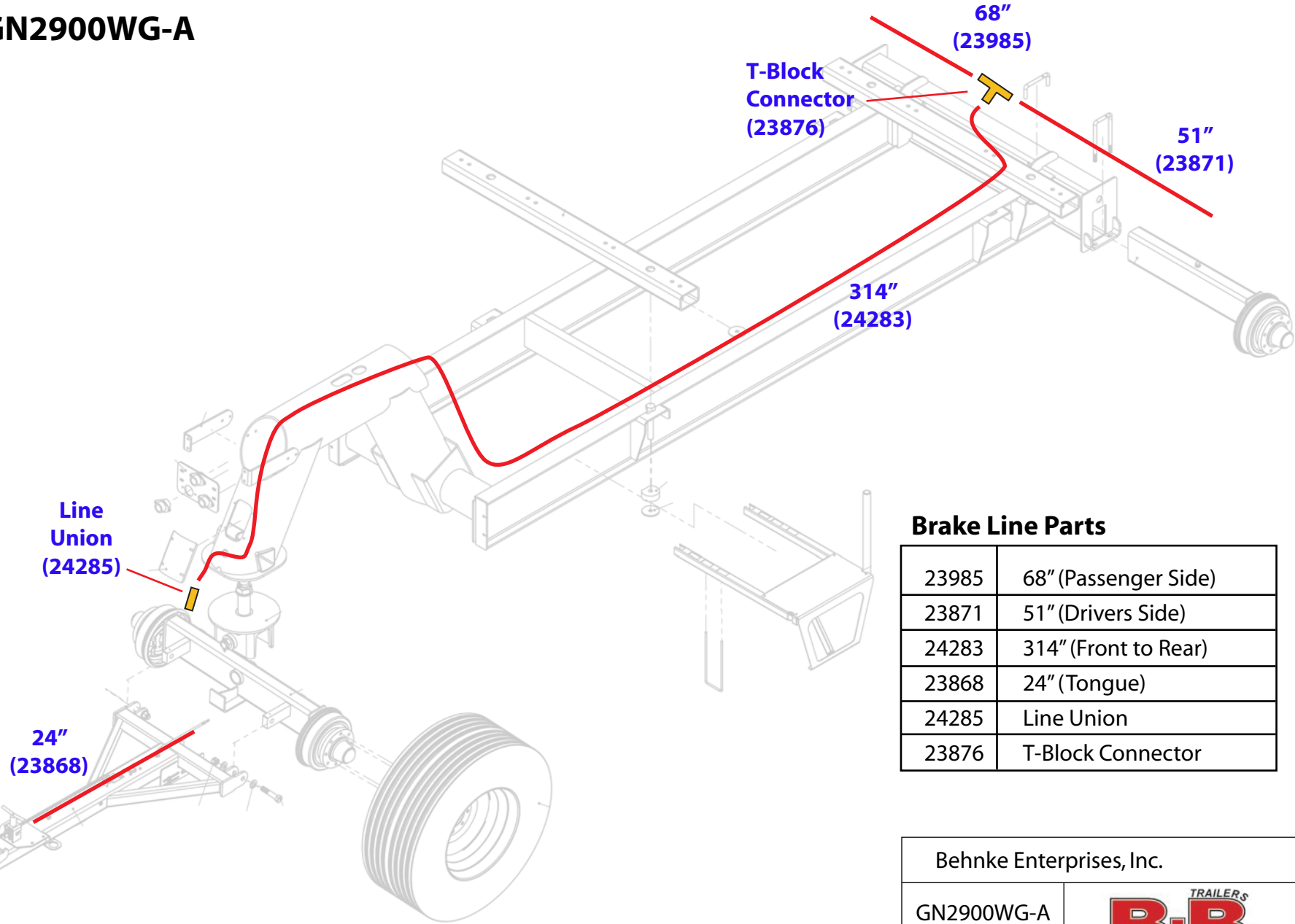
GN2900WG-A
Step Assembly



07-15-21

www.behnkeenterprises.com

GN2900WG-A



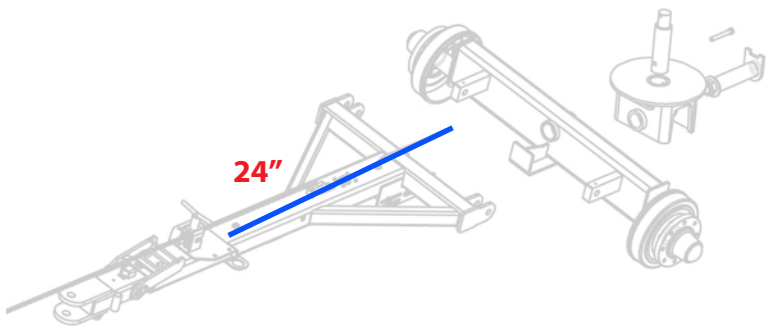
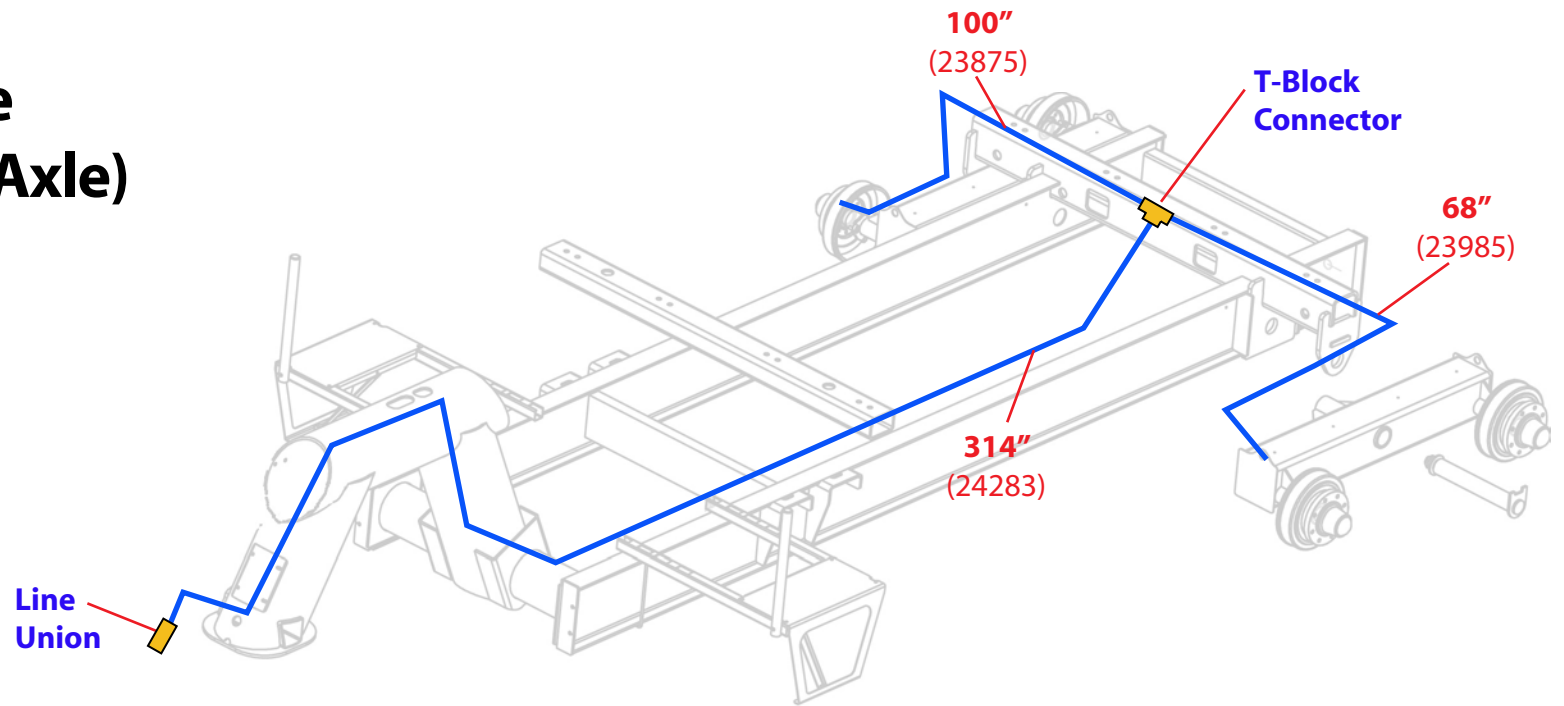
Brake Line Parts

23985	68" (Passenger Side)
23871	51" (Drivers Side)
24283	314" (Front to Rear)
23868	24" (Tongue)
24285	Line Union
23876	T-Block Connector

563-744-3246

Behnke Enterprises, Inc.	
GN2900WG-A Brake Line	
08-01-20	www.behnkeenterprises.com

Brake One Axle (Tandem Rear Axle)



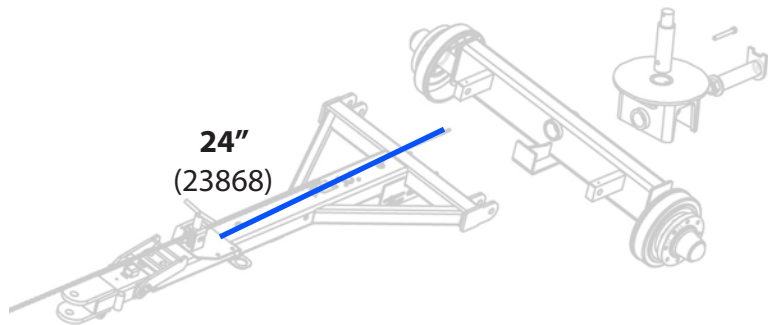
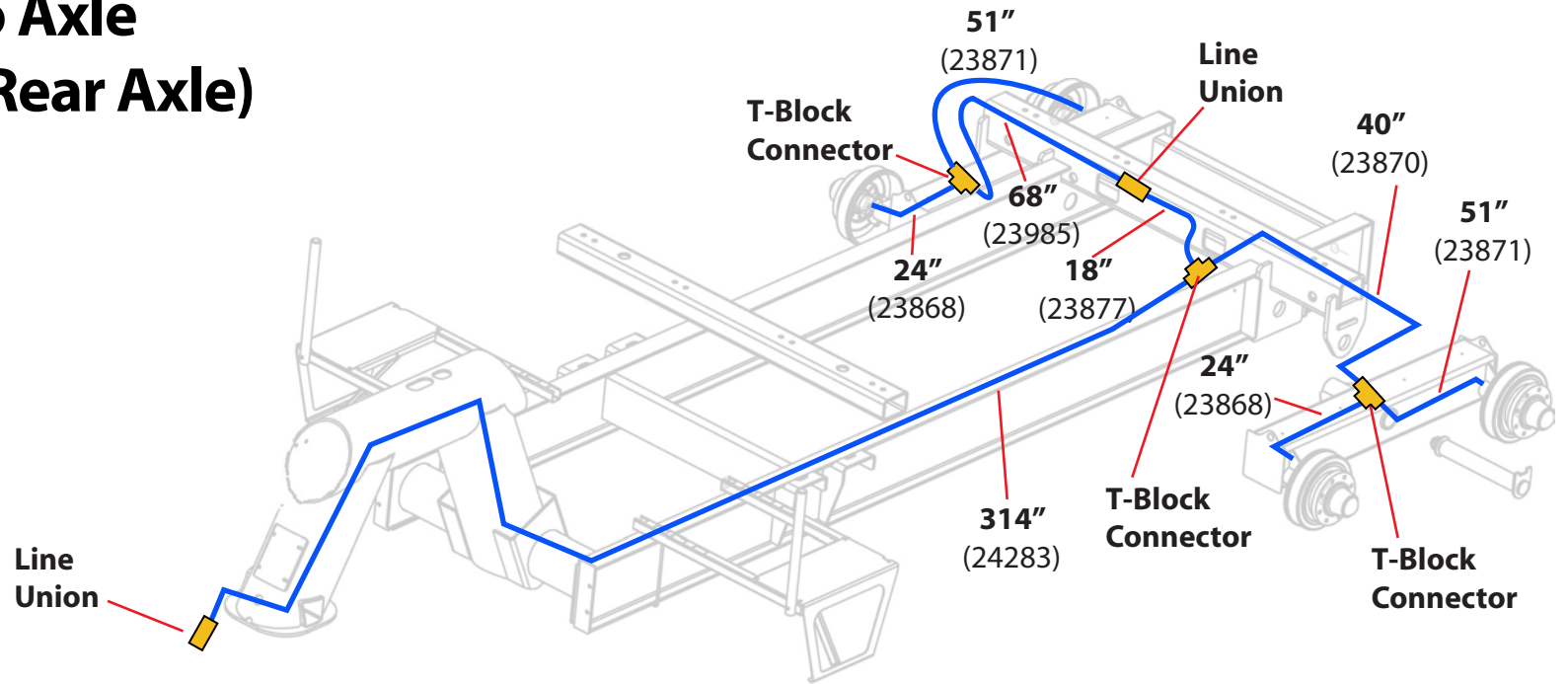
Brake Line Parts

23875	100 (Passenger Side)
23985	68" (Drivers Side)
24283	314" (Front to Rear)
23868	24" (Tongue)
24285	Line Union
23876	T-Block Connector

Behnke Enterprises, Inc.	
GN2900TWG Brake Line, One Axle	
10-01-20	www.behnkeenterprises.com

563-744-3246

Brake Two Axle (Tandem Rear Axle)



Brake Line Parts

23877	18"
23868	24"
23870	40"
23871	51"
23985	68"
24283	314" (Front to Rear)
24285	Line Union
23876	T-Block Connector

Behnke Enterprises, Inc.

GN2900TWG
Brake Line,
Two Axle



10-01-20

www.behnkeenterprises.com

563-744-3246